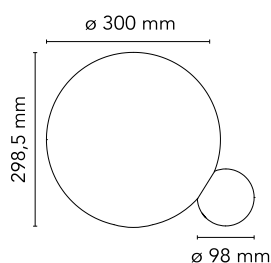


Copycat

■ F1952030 - Black Chrome

Designed by Michael Anastassiades

Table lighting fixture comprising an aluminium sphere machined from solid and then gold-coated with 24 K gold. Blown glass opal diffuser. LED light source with dimmer switch on the power cable.



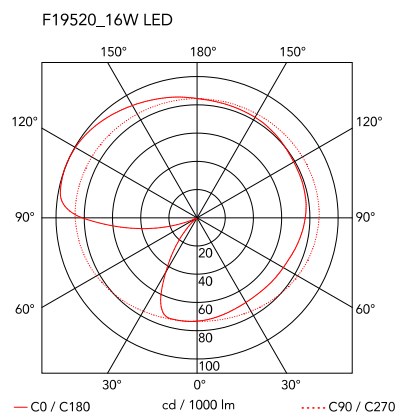
Main specifications

Mounting Environment	Table Indoor dry location	Lamp holder	COB LED
Light source type	LED	Autoprotected Lamp	No
Light source replaceable	Replaceable (LED only) light source by a professional LED array	Number of heads	1
		Source Power (W)	16
		System Flux (lm)	900

LED type

Optical

Lighting Type	Total
Lighting distribution	Asymmetric
CCT (K)	2700K
Cold Beam Lighting	No
Extreme Cut off	No



Electrical

Insulation class	III	Batteries Inside	No
Frequency (Hz)	50/60	Power supply replaceable	Replaceable control gear by an end-user
Main Voltage (Vac)	100-240/24	Plug Type	Type G, Type A, Type C
Driver	Remote included	Charging Min Time	No
Dimmable type	Electronic 12V		

Physical

Colour	Black Chrome
Net weight (kg)	3.6
Gross weight (kg)	7.94
IP	20
IP external	20

