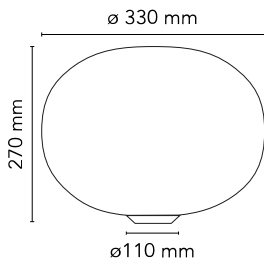


Glo-Ball Basic 1

■ F3021000 - White

Designed by Jasper Morrison

Table/desk lamp providing diffused light. Diffuser consisting of an externally acid etched, hand blown, flashed opaline glass and a die-cast aluminum threaded ring nut with alodine plating finish. 30% fiberglass reinforced injection-molded polyamide base. Gray painted, die-cast aluminum diffuser support. On the cable there is the electronic dimmer which allows the regulation of light brightness.

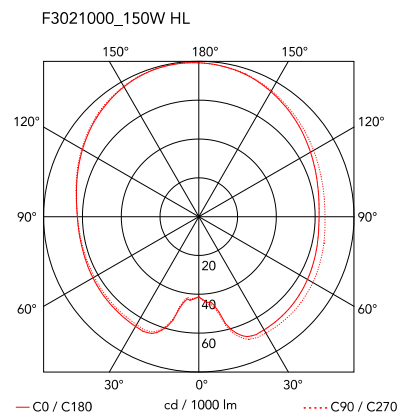


Main specifications

Mounting	Table	Iicos	HSGS
Environment	Indoor dry location	Autoprotected Lamp	Yes
Light source type	Bulb	Number of heads	1
Lamp category	Halogen	Source Power (W)	150
Lamp holder	E27		

Optical

Lighting Type	Total
Lighting distribution	Symmetric
Cold Beam Lighting	No
Extreme Cut off	No



Electrical

Insulation class	II	Plug Type	Type C
Frequency (Hz)	50/60	Charging Min Time	No
Main Voltage (Vac)	220-240		
Batteries Inside	No		
Cord length (mm)	1900		

Physical

Colour	White
Net weight (kg)	2.61
Gross weight (kg)	5.76
IP	20
IP external	20